

Operation Instruction

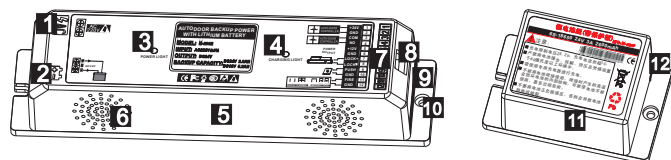
M-236E Automatic door back-up power with lithium battery



1 Safety Instruction

Thanks so much for purchasing this product, please read this instruction before using.

2 Product overview



- 1 220V Power Input
- 2 lithium battery connector
- 3 Power light
- 4 lithium battery charging light
- 5 Main Controller
- 6 louver *4pcs
- 7 Controller Wiring
- 8 discharge switch
- 9 Access line connector
- 10 Installation hole*2pcs
- 11 lithium battery
- 12 lithium battery wiring connection

3 Overall Characteristic

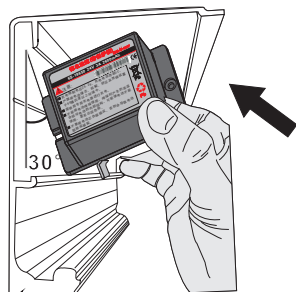
- Specially designed for automatic door back-up power. The power can help automatic door work normally once power off (open-close about **500 times**, around **7hours**), or keep door open automatically based on fire evacuation requirements.
 - Battery charge-discharge management by micro-computer. Have setting of quick charge, trickle charge and cut off the power automatically in low tension. The life time of battery is long.
- When lithium battery is working, blue light flicks**
- integrate with access power function, available for access control to connect with automatic door.

4 Installation and Adjustment

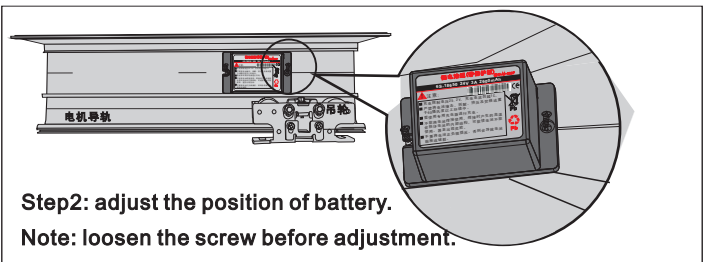
Note:

1. If want to extend the service time, please add one pcs of lithium battery when power failure happened.

2. Please put the battery into track in 30° incline



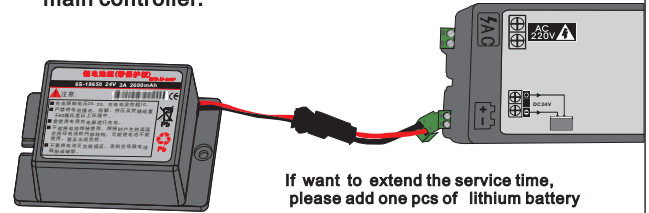
step1: Put the battery pack into guide rail, slipping to suitable position and fix by special screws.



Step2: adjust the position of battery.

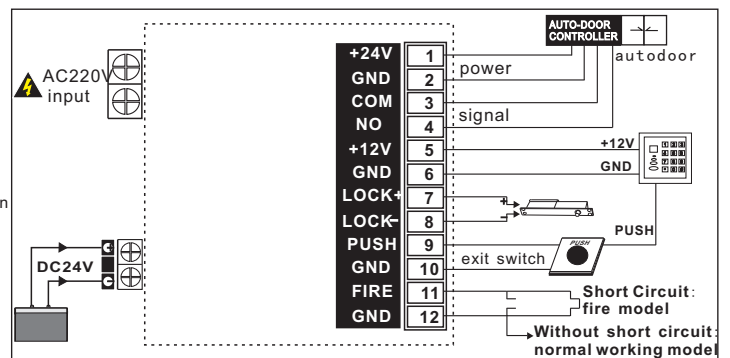
Note: loosen the screw before adjustment.

Step3: The connection between battery and main controller.

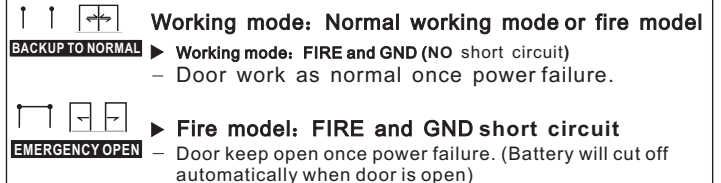


If want to extend the service time, please add one pcs of lithium battery

5 Wiring



6 Function setting



7 Note

- 2 kinds of wires of AC input: Live line and Zero line.
- Please connect two storage batteries in series to get DC24V.
- Please charge storage batteries up to 12hours before first using.
- Maintenance should be undertaken by professional maintainer.
- System will automatically be cut when the storage batteries low to certain voltage rated value

8 Parameter

Input Voltage:	AC220V, 50Hz
Output Voltage:	DC24V, 2.6AH; DC12V, 5.2AH
Working Mode:	Automatic working or keep opening
Indicator and Protect	Charging proceeding shown by LED. Low voltage will automatically cut.
charging time:	Around 10 hours
Open times:	About 550 times
Controller Dimension:	243 (L) × 59 (W) × 45 (H) mm
storage battery size:	96 (L) × 43 (W) × 55 (H) mm