



RFID Card Reader

1.Features

Ultra- low power consumption: Standby current less than 30mA

Transmit format: WG26/WG34

Fast Searching speed: Time is less than 0.1S between reading card and opening the door

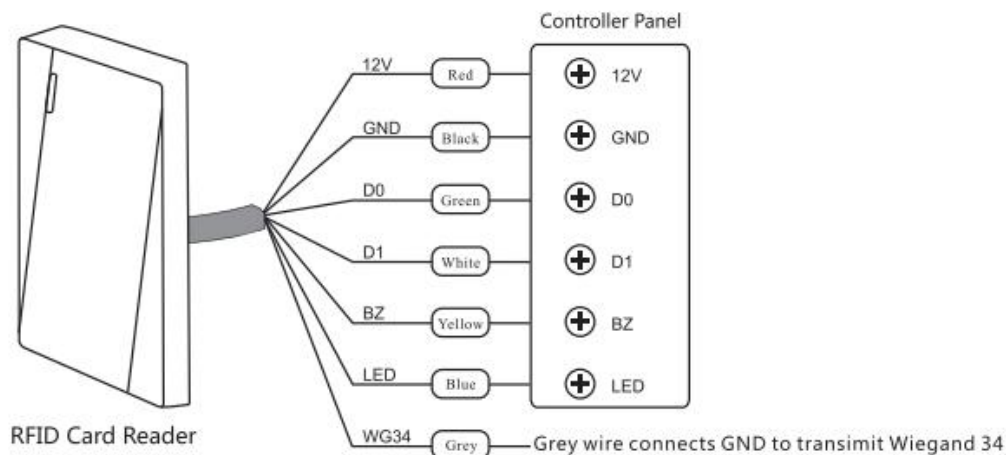
2.Specifications

Card Type	EM/MF
Operating Voltage	DC9-12V
Reading Distance	2-5cm
Operating Humidity	10%-90%RH
Waterproof Degree	IP68
Standby Current	< 30mA
Operating Humidity	-45°C~60°C
Searching Speed	Less than 0.1S between reading card and opening the door

3.Wiring

Wire No.	Function	Color	Description
1	LED	Blue	Connect controller LED
2	Beeper	Yellow	Connect controller beeper
3	DO	Green	WG output line DO
4	DI	White	WG output line D1
5	+12V	Red	Power supply +12V
6	GND	Black	Power supply-12V
7	WG34	Grey	Grey wire connects GND to transmit Wiegand34 output format

4.Wiring Diagram



☆Warm Tips:

◇ Please don't repair device by yourselves. Any issues, please notify supplier

TEL: +86 755 29450011 (8lines) / <http://www.s4a-access.com> / E-mail: sales@s4a-access.com

Address:6th Floor, Haotai Industrial Zone,Minzhi Road,Longhua New District,Shenzhen,PRC.



- ✧ Before installation, if you want to punch, holes, please carefully check the black line or line pipe to avoid unnecessary trouble such as breaking the black line when drilling. Use safety glasses when drilling or fixing the wire clips
- ✧ If upgraded, please forgive us without notice